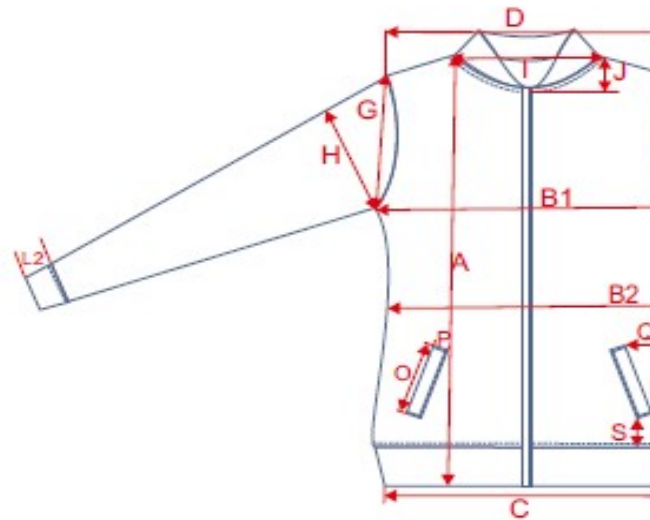


TB807 (no.067) Ladies Basic Bomber Jacket

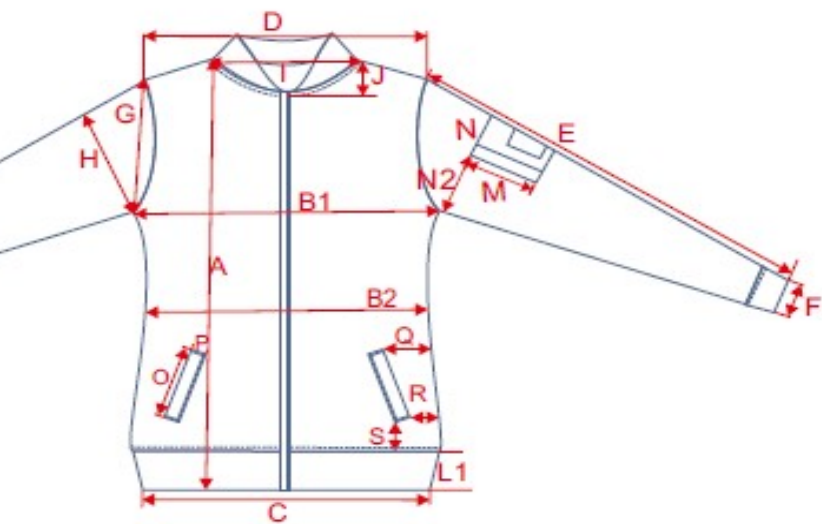
	Description		XS
A	Length	cm	58
B1	1/2 Chest Width	cm	47.5
B2	1/2 Waist Width (15 cm under chest width)	cm	42.5
C	1/2 Hem Width	cm	36.5
D	1/2 Shoulder Width	cm	38
E	Sleeve Length	cm	60
F	1/2 Cuff Width	cm	7.5
G	1/2 Armhole Straight (seam to seam)	cm	20
H	1/2 Upper Arm Width	cm	17
I	Neckhole (seam to seam)	cm	17
J	Front Neckdrop (HSP to seam)	cm	8
	Back Neckdrop (HSP to seam)	cm	2
K	Collar Height (center back)	cm	4
L1	Hem Cuff Height	cm	7
L2	Sleeve Cuff Height	cm	7
M	Sleeve Pocket Height	cm	11.5
N	Sleeve Pocket Width	cm	10
N2	Distance Sleeve Pocket from underarm seam	cm	7.5
O	Pocket opening	cm	13
P	Pocket Flap (center width)	cm	6
Q	Distance Front Pocket Top from side-seam	cm	9.5
R	Distance Front Pocket Bottom from side-seam	cm	3.5
S	Distance Front Pocket from Hem (Without cuff)	cm	5
T	Inside Pocket Length	cm	13
Comments			
Fitting			Regular Fit
Article Description			Jacket, Rib-cu with zipper, i
Fabric			100% Nylon
Colors			Black

S	M	L	XL
60	62	64	66
50	52.5	55	57.5
45	47.5	50	52.5
39	41.5	44	46.5
40.5	43	45.5	48
61	62	63	64
8	8.5	9	10
21	22	23	24
18	19	20	21
18	19	20	21
8.5	9	9.5	10
2	2	2	2
4	4	4	4
7	7	7	7
7	7	7	7
12	12	12.5	13
10.5	10.5	11	11
8	8	8.5	8.5
14	14	15	15
6	6	6	6
10	10.5	11	11.5
4	4.5	5	5.5
5	5	5	5
14	14	15	15



cuffs at the neck, sleeve-openings and hem, pockets front side, pocket on the left
 side pocket

URBAN CLASSICS



upper arm